



# Control Systems & Equipment Ltd.

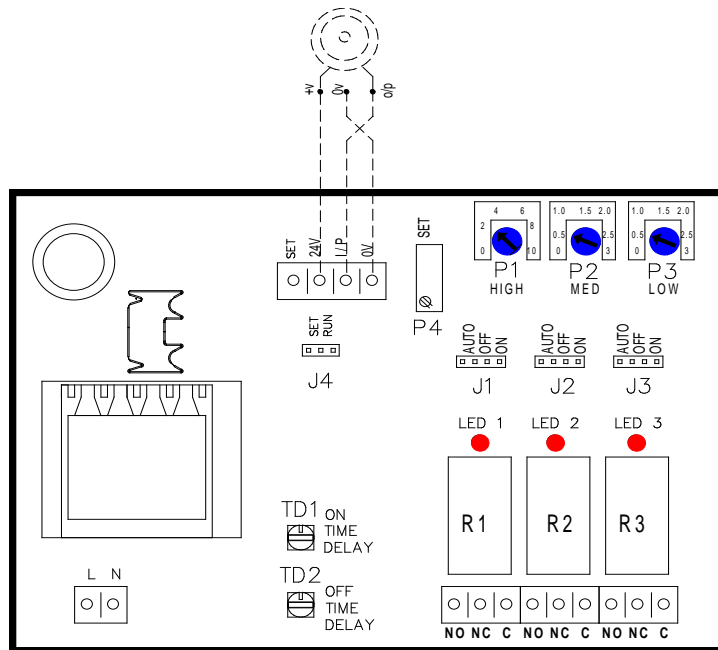
Unit 3, Wessex Road, Bourne End, Bucks, SL8 5DT.

Tel :- 01628 533002 Fax :- 01628 528133

E-mail :- [info@consysequip.com](mailto:info@consysequip.com)

: Web :- [www.consysequip.com](http://www.consysequip.com) : [www.forecourts.org.uk](http://www.forecourts.org.uk)

## LC1 - Aurora Lighting Controller



The LC1 Aurora lighting controller is designed for fail-safe operation and as such, switches lights OFF and not ON. Electrical connections should be made to C and NC

The sensor should ideally be mounted on a north-facing wall but must be facing away from direct sun light and floodlights. The output of the sensor is 0-10V DC and directly proportional to light level. That is to say 0v = 0 LUX and 10V = 10,000 LUX. Settings of the controller are: -

Zone 1	Signage, PID etc	0 – 10, 000 LUX (factory set 6,000)
Zone 2	Canopy Lights	0 – 10, 000 LUX (factory set 3,000)
Zone 3	Flood Lights	0 – 3, 000 LUX (factory set 1,000)

To set a switching point, adjust potentiometers P1, P2 & P3 to the required setting. Switch TD1 is for setting a delay on time and switch TD2 is for setting a delay off time. Each increment of a switch represents 2 minutes. It is prudent to switch TD1 & TD2 to zero when setting up and commissioning.

Jumpers J1, J2 & J3 are for mode setting of a particular zone. Pins 1&2 are auto, pins 2&3 are off and pins 3&4 are permanently on. LED indication is RED when lighting zone is required to be on.

Jumper J4 selects is for selecting the input. Pins 1&2 selects SET mode, which is the internal potentiometer, P4 and pins 2&3 selects the RUN mode, which is the light sensor. P4 manually adjusts the input from 0 – 10V (0 – 10,000 LUX). This feature allows accurate setting of switch point via a voltmeter.